

DESCRIPTION:

AMC MODEL MSNN-1DR-CS00109-09 IS A REFLECTIVE SPST SWITCH WITH LOW INSERTION LOSS, SLIM LINE DESIGN AND INTEGRAL TTL DRIVER THAT WORKS FROM 0.5 TO 22.0 GHz.

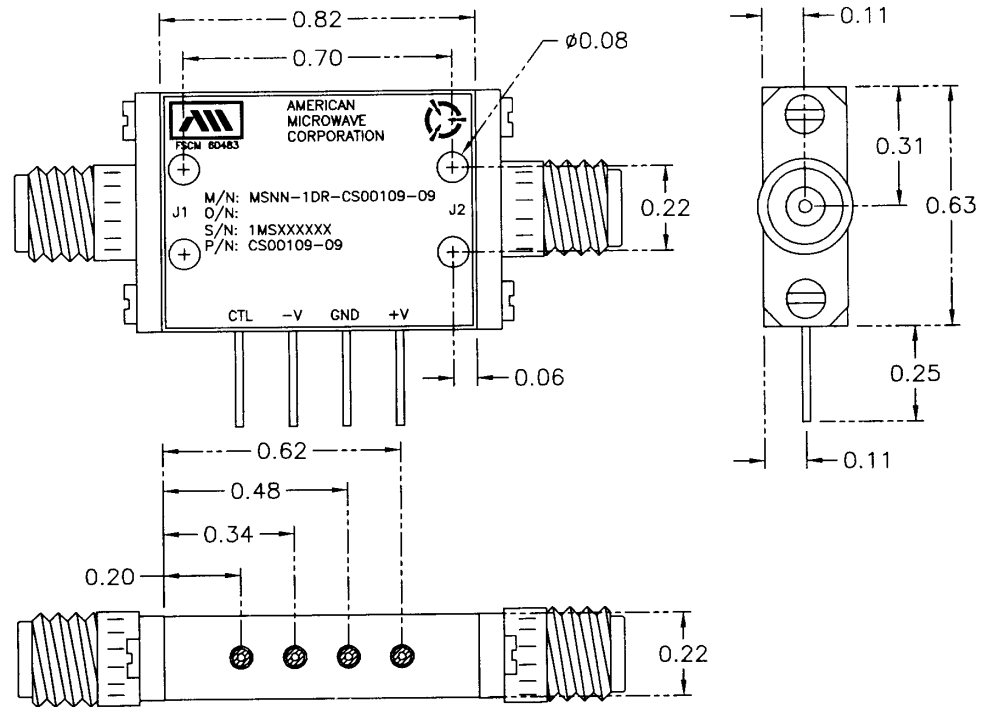
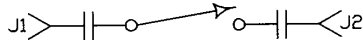
REVISIONS			DATE	APPROVED
ZONE	REV.	DESCRIPTION		
-	-	ORIGINAL RELEASE JOB# 301014E	09/04/09	

SPECIFICATIONS:

- FREQUENCY: 0.5 TO 22 GHz
- INSERTION LOSS: 2.5 dB MAXIMUM
- ISOLATION: 45 dB MINIMUM
- VSWR: 2.0:1
- RF POWER: 1 WATT PEAK @ 10 μ SEC PULSE WIDTH
- SWITCHING TIME: 100 nS MAXIMUM
- POWER SUPPLY: +5V @ 50mA
..... -15V @ 30mA
- CONTROL: TTL LOGIC "0"=ON "1"=OFF
- SIZE: 0.82" (L) x 0.63" (W) x 0.22" (H)

M/N = MODEL NUMBER
 O/N = OPTION NUMBER
 S/N = SERIAL NUMBER
 P/N = PART NUMBER

BLOCK DIAGRAM



ALL DIMENSIONS ARE IN INCHES

TOLERANCES:

- X.XX ± 0.020
- X.XXX ± 0.010

ENVIRONMENTAL RATINGS

- OPERATING TEMPERATURE -65°C TO 110°C
- NON-OPERATING TEMPERATURE -65°C TO 125°C
- HUMIDITY MIL-STD-202F, METHOD 103B COND. B
- SHOCK MIL-STD-202F, METHOD 213B COND. B
- VIBRATION MIL-STD-202F, METHOD 204D COND. B
- ALTITUDE MIL-STD-202F, METHOD 105C COND. B
- TEMPERATURE CYCLE MIL-STD-202F, METHOD 107D COND. A

NOTE: THE ABOVE SPECIFICATIONS ARE SUBJECT TO CHANGE OR REVISION

CONFIDENTIAL AND PROPRIETARY

PART NO.		AMERICAN MICROWAVE CORPORATION FREDERICK, MARYLAND		
APPROVALS	DATE	TITLE		
DRAWN <i>KAB</i>	<i>5/04/09</i>	PRODUCT FEATURE MSNN-1DR-CS00109-09 WIDE BAND 1-WAY SWITCH		
CHECKED		SIZE	FSCM NO.	DWG NO.
ISSUED		A	60483	100-6559
		SCALE N:S	SHEET 1 of 3	